

**IOWA DEPARTMENT OF NATURAL RESOURCES
ADDENDUM No. 1
LAND & WATERS BUREAU**

VIKING LAKE STATE PARK
WASTE WATER SYSTEM UPGRADE
MONTGOMERY COUNTY, IOWA
PROJECT NUMBER: 19-04-69-02

May 15, 2019

This Addendum is issued to modify, explain or correct the original Drawings and Specifications, and is hereby made a part of the Contract Documents. Please attach this Addendum to the Project Manual in your possession. Insert the number and issue date of this Addendum in the blank space provided on the Proposal Form.

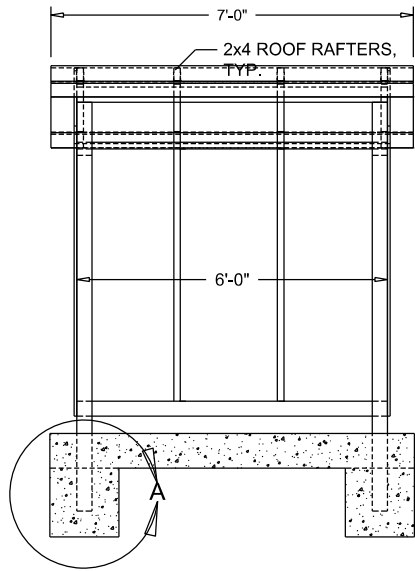
PLANS:

1. The controls for the packed bed filter shall be installed in a covered structure shown in the drawings below. The cost of the control structure shall be part of item No. 6 in Estimated Project Quantities on sheet 7 of the plans.

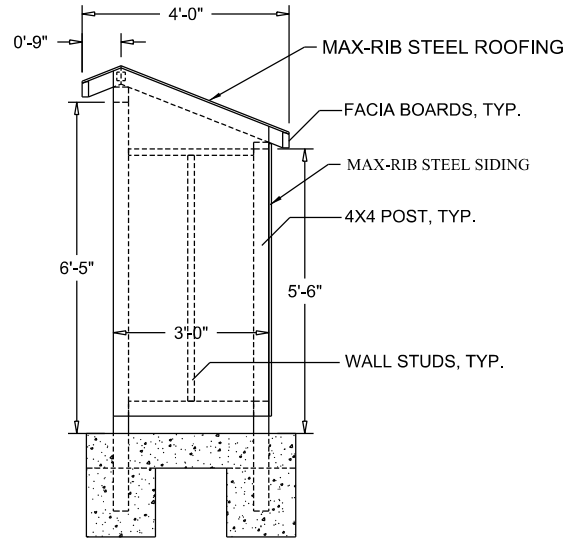
SPECIFICATIONS:

1. Specification – The above change shall also applies to Schedule of Prices in the Proposal section.

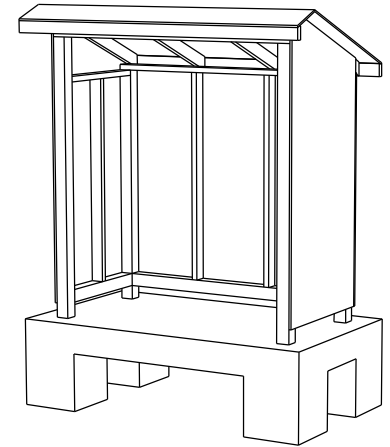
See attached drawing for detail.



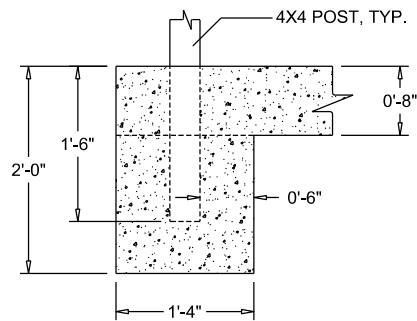
FRONT VIEW - PANEL STATION



SIDE VIEW - PANEL STATION



ISO VIEW - PANEL STATION



A PANEL STATION FOOTING DETAIL

NOTE:

1. MCELROY MAX-RIB SIDING, COLOR TO BE TERRA TONE. TRIM CORNERS AND EDGES WITH APPROPRIATE TRIM BY MANUFACTURER.
2. PRESSURE TREATED 4X4 POSTS, EMBED POSTS INTO CONCRETE AS SHOWN.
3. 5/8" ROOF SHEATHING WITH WATER AND ICE SEILD OVER ENTIRE ROOF STRUCTURE. INSTALL MCELROY MAX-RIB ROOFING, COLOR TO BE DARK BRONZE. TRIM ALL EDGES OF ROOFIG PER MANUFACTURER'S RECOMMENDATIONS.
4. 1X4 TREATED FASCIA